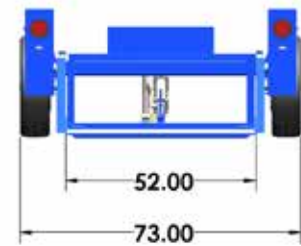
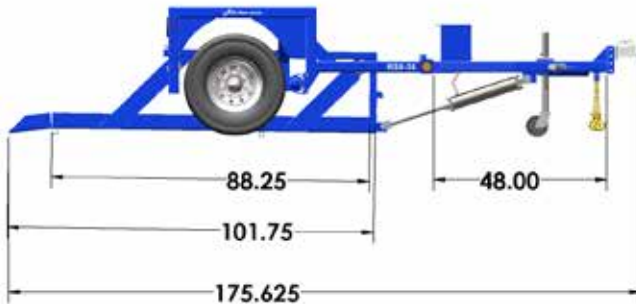


Trailer Specifications

Model RS8-32 Ground-Level Loading, Non-Tilt Trailer



Specifications

MODEL	RS8-32
Capacity - lbs.	3200
Deck Width	4' 4" (52")
Deck Length (inc. 18" ramp)	8 ft. - 6"
Deck Material	Steel Plate
Ramp Size	18"
Overall Width	73"
Axles	Single
Wheels/Tires	15" - 8 Ply
Brakes (electric - std.)	Electric
Suspension (Air / Rubber)	Rubber
Lift Mechanism	Hyd.
Coupler	2" Ball
Weight (lbs.) varies w/opt.	1675
Color	Royal Blue

Features

Ground-level Loading
 Non-tilting Deck
 Extra-Wide Deck
 Heavy-Duty Diamond Deck
 "Air-Float" Swingarm Axles
 Fenderless
 Adjustable Coupler
 Adjustable Chain
 Remote Control
 Bright LED Lights
 Durable Powder Coat Paint
 4 Heavy-duty D-Rings
 15" Wheels

Optional Accessories (others accessories available)

6amp Battery Charger
 Solar Battery Charger
 Wireless Hydraulic Remote
 15" Spare Tire ST225/75D15
 Spare Tire Bracket
 Front Rail Cushion
 Aluminum Wheels
 Custom Powder Coated Paint

Popular Uses

Trenchers, floor scrubbers, pavement sweepers, safes, vending machines, motorcycles, mowers, landscape tools, appliances, party rental goods, overhead doors & windows, ATMs & much more!